

Medical Grade Air Compressor



SPECIFICATIONS	MAC 50
Output Flow (Continuous)	50 ± 3 LPM @ 50 psi
Oil & Particulate Filtration	5µ
Air Outlet Fitting	Quick Touch Coupler
Dimension (L x W x H)	52 X 44 X 53 cm (20.5" X 17.5" X 21")
Noise Level	< 52 dBA @ 1.2m
Weight	47 Kg
Operating Temperature	18 ~ 35° C
Operating Humidity (RH)	< 85% Relative Humidity
Power Requirement	230VAC; 50/60 HZ

OPTIONAL FEATURES:

- WITH SINGLE OR DUAL CASTORS OPTION
- WITH ELECTRONIC DRYER OPTION
- WITH EVITA XL KIT OPTION
- WITH DUAL OUTLET OPTION
- WITH CENTRAL SUPPLY OPTION

Mini Medical Air Compressor



SPECIFICATIONS	MAC 25
Output Flow (Continuous)	18 ± 3 LPM @ 15 psi
Oil & Particulate Filtration	5μ
Air Outlet Fitting	Quick Touch Coupler
Dimension (L x W x H)	43 X 35 X 46 cm (17" X 14" X 18")
Noise Level	< 52 dBA @ 1.2m
Weight	22 Kg
Operating Temperature	18 ~ 35° C
Operating Humidity (RH)	< 85% Relative Humidity
Electronic Dryer	N/A
Power Requirement	230VAC; 50/60 HZ

Elcom Healthcare Pvt. Ltd.

WH-74, 1st Floor, Mayapuri Industrial Area, Phase-1, New Delhi-110064
Ph. : +91-9654419914 • E-mail : elcomhealthcare@gmail.com



bubbleCPAP

Neonatal CPAP Delivery System



Reliable Performance



User Friendly Interface



Comfort & Safety



Compact & Portable



Economical





bubbleCPAP

Neonatal CPAP Delivery System

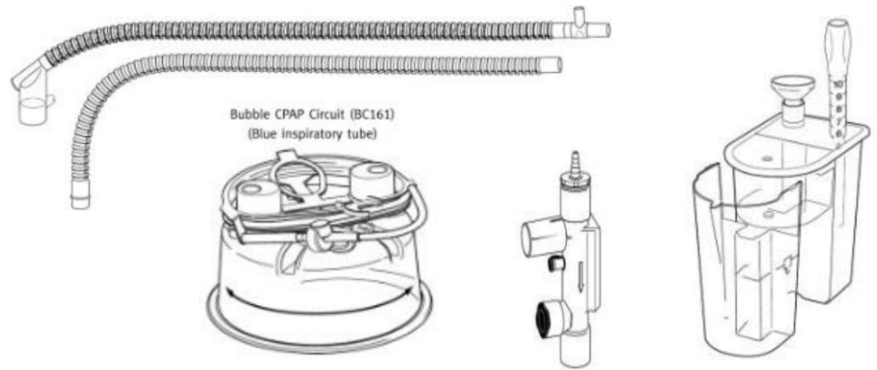
SPECIFICATIONS	AD3000-SPA (INFANT)	AD3000-SPD2	AD3000-SPA (ADULT)
Power Source	/	/	/
Pressure	Air/Oxygen @ 0.3-0.4 MPa		
Fio2	21%-100%		
Flow	2-18 LPM	0.1-1 LPM & 1-10 LPM	6-60 LPM
Alarm	When gas supply pressure difference > 0.1 MPa		
Alarm Noise	>57 dB(A)		
Accuracy of Fio2	±3%		
Bleed Flow	3 LPM		

CONSUMABLES

Delivery System

Includes:

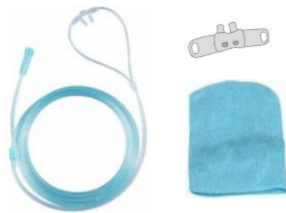
- Bubble Generator
- Humidification Chamber
- Pressure Relief Manifold
- Patient Circuit



PATIENT INTERFACE

Includes:

- Nasal Tubing
- Infant Bonnets
- Nasal Prongs/ Masks



Elcom Healthcare Pvt. Ltd.

WH-74, 1st Floor, Mayapuri Industrial Area, Phase-1, New Delhi-110064

Ph. : +91-9654419914 • E-mail : elcomhealthcare@gmail.com



neoPAP

Neonatal CPAP Delivery System



Reliable Performance



User Friendly Interface



Comfort & Safety



Compact & Portable



Economical





neoPAP

Neonatal CPAP Delivery System

SPECIFICATIONS

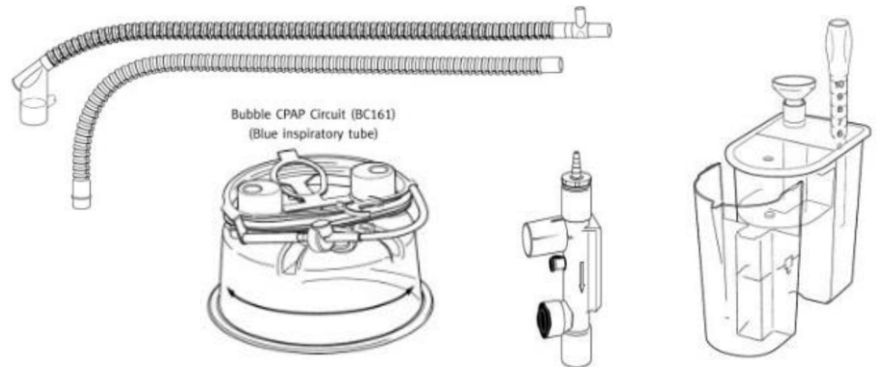
Input Flow Range	0 ~ 15 LPM
Fio2	21 ~ 100%
Set CPAP Pressure Range	3 ~ 10 cmH2O
Maximum Pressure Limit	17 cmH2O
Operating Temperature Range	18 ~ 26 °C
Storage Temperature Range	-10 ~ 50 °C
Usage Period	Single Patient Use, For a maximum of 7 days
Intended Patient Population	Neonates & Infants < 10 Kgs
Power Requirement	230VAC; 50/60 HZ

CONSUMABLES

Delivery System

Includes:

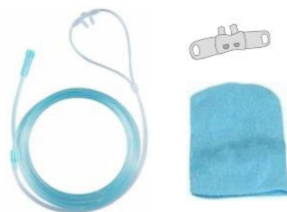
- Bubble Generator
- Humidification Chamber
- Pressure Relief Manifold
- Patient Circuit



PATIENT INTERFACE

Includes:

- Nasal Tubing
- Infant Bonnets
- Nasal Prongs/ Masks



Elcom Healthcare Pvt. Ltd.

WH-74, 1st Floor, Mayapuri Industrial Area, Phase-1, New Delhi-110064

Ph. : +91-9654419914 • E-mail : elcomhealthcare@gmail.com